

OVC-202

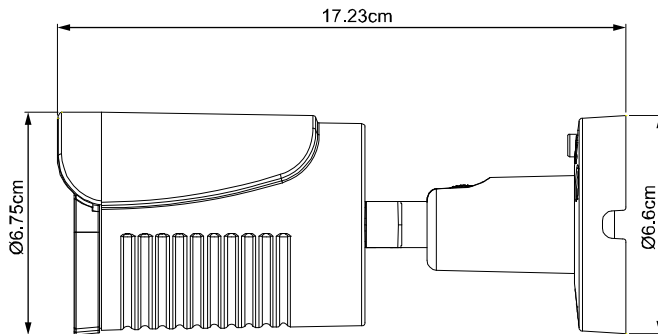
HD CCTV 1080P IR Bullet Camera



● FEATURES

- (1) 1/2.7" CMOS Sensor
- (2) 1080P video output
- (3) Low light sensitivity of 0.1 Lux / F1.8, 0Lux (IR LED ON)
- (4) Day and night 24-hour surveillance with IR effective distance up to 25 meters
- (5) IP66 for weather-proof application
- (6) Camera parameters adjustable when used with AVTECH HD CCTV DVR

● DIMENSIONS*



*Dimensional Tolerance: ± 5mm

● SPECIFICATIONS*

MODEL	DGC1105
Pick-up Element	1/ 2.7" CMOS image sensor
Number of Pixels	1930(H) x 1088(V)
Video Frame Rate	1080P@30fps / 1080P@25fps
Min. Illumination	0.1 Lux / F1.8, 0 Lux (IR LED ON)
S/N Ratio	More than 48dB (AGC OFF)
Shutter Speed	1/30 (1/25) sec ~ 1/720000 (1/600000) sec
Lens	f3.6mm / F1.8
Lens Angle	96° (Horizontal) / 50° (Vertical) / 116° (Diagonal)
IR LED	2 units
IR Effective Distance	Up to 25 meters
IR Shift	YES
Day & Night Mode	YES
IRIS Mode	AES
White Balance	AUTO / USER / PUSH / 8000K / 6000K / 4200K / 3200K
AGC	Adjustable
Sharpness	Adjustable
Flickerless	50HZ / 60HZ / OFF
BLC	Adjustable
IP Rating	IP66
Operating Temperature	-20°C ~ 40°C
Operating Humidity	90% or less relative humidity
Power Source (±10%)	DC12V / 0.5A
Current Consumption (±10%)	150mA (IR LED OFF); 365mA (IR LED ON)
Net weight (Kg)	0.36

* The specifications are subject to change without notice.